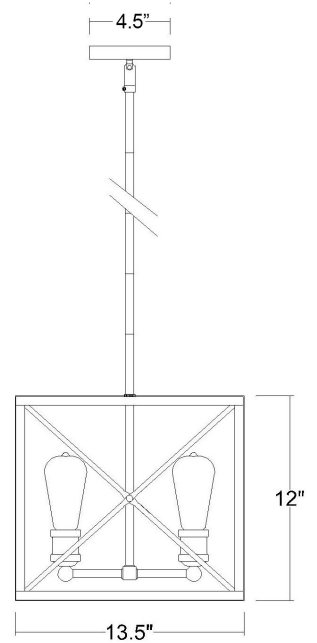
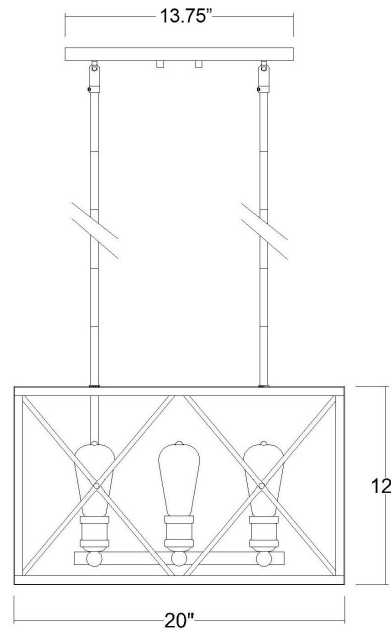


IN21125ORB

BROOKLYN 6-LIGHT PENDANT



Description:	Brooklyn 6-Light Pendant
Finish:	Oil Rubbed Bronze
Dimensions:	20" L x 13-1/2" W x 12" H
Bulbs:	6-100W. Med.
Installed Weight:	10.5 lbs.
Certification:	cUL / dry location

Material:	Steel
Shades:	NA
Glass:	NA
Canopy Dimensions:	13-3/4" x 4-1/2"
Chain/Wire:	12' Wire
Stems:	6-12", 2-6", 2-3"
Additional Finishes:	NA